

Type	ThermoPuces					Loggers Warito credit card size					
Model	G	Z	L	T	E	TH	LT-8	LT-16	L-TH	LT-LT	LT-HT
Parameters	T°					T° + %HR	T°	T°	T° + %HR	T°	
Range	-40 à +85 °C	-5 à 26 °C	-40 à +85 °C	0 à +125 °C	+15 à +140 °C		-40 / +85 °C			-90 / +50	0 / +200 °C
Memory 8 bits	2048 mesures		8192 mesures						0 / 100 %HR		
Memory 11 bits	Not Supported		4096 mesures				8000	16000	16000	8000	
Resolution 8 bits	0.5 °C	0.12 °C	0.5 °C								
Resolution 11 bits	Not Supported		0.06 °C			0.5 % HR		0.1 °C à 0.2 °C		0.1 à 0.8 °C	
Native accuracy (without fitting)	1 à 1.3° acc /range	0.5 à 1° acc / range	0.5 à 2° acc / Range	Fitting not optional			0.5 à 1°C (depends on the range)			1.5 °C à 2.5°C	
Accuracy after calibration and fitting	0.37 °C	0.17 °C	0.12 °C			5 %HR			5 %HR	0.22 °C à 1°C	
Life expectancy	1.000.000 of measures in 8 bits resolution					60.000 mesures					
Deferred starting up	YES for all models										
Conditional starting up	No		Yes, on overtaking high or low threshold				No				
Battery	3 V, Lithium, not exchangeable					3 V, Lithium, exchangeable					
Interval of measures	1 mn / 255 mn		1 s / 273 H			30 s / 255 mn					
Display	No					Option	Option	No			
Marking of events	No					Yes					
Alert / Run Leds	No					Yes					
Size and weight	Diameter 17 mm, Height 6 mm, weight 3 g					L 86 mm, l 54 mm, ep. 8 mm, 35 g					
COFRAC Tracability	YES, until 5 points T° and RH%, on request										
Internal Fitting	YES, automated correction of the mesures										
Waterproofness	IP 65 (box or film to achieve IP 68)					IP 54	Internal probe IP 65 / External probe IP 68				
Software	WARITO II, Win 98 SE, ME, XP, 2000, VISTA, WIN 7										
PC Adapter	USB or serial RS232, option 16 positions reader multiple plate for ThermoPuces										

ThermoPuce G et Z, maximal duration of a mission and life expectancy

Interval of measure in minutes	Maximal duration of a mission in days	Life expectancy (years) in continuous functioning
1	1.4	1.9
5	7.1	9.5
15	21.3	10 ans (1)
60	85.3	10 ans (1)

(maxi = 255 mn)

ThermoPuce L, T et E, maximal duration of a mission an life expectancy. NORMAL RESOLUTION (0.5 °C)

Interval of measure in minutes	Maximal duration of a mission in days	Life expectancy (years) in continuous functioning
1	5.7	1.9
5	28.4	9.5
15	85.3	10 (1)
60	341.3	10 (1)

(maxi = 273 H)

ThermoPuce L, T, E, TH maximal duration of a mission an life expectancy. HIGH RESOLUTION (0.06 °C)

Results to be divided by two if ThermoPuce TH used there T° + %HR

Interval of measure in minutes	Maximal duration of a mission in days	Life expectancy (years) in continuous functioning
1	2.8	1.0
5	14.2	4.8
15	42.7	10 (1)
60	170.7	10 (1)

(maxi = 273 H)

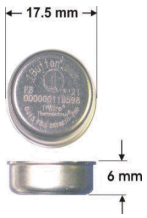
Loggers Warito T, TH, LT, HT, maximal duration of a mission an life expectancy

Interval of measure in minutes	Maximal duration of a mission in days	Life expectancy (years) in continuous functioning
1	5.6	0.1
5	27.8	0.6
15	83.3	1.7
60	333.3	6.8

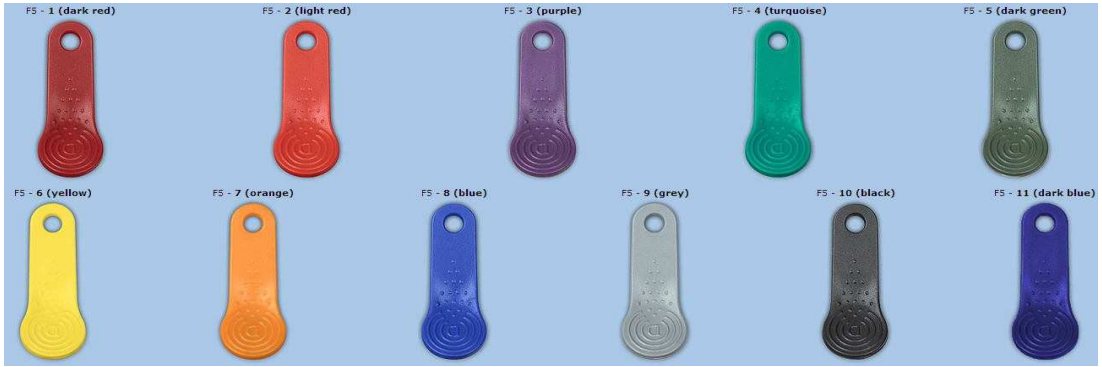
(maxi = 255 mn)

(1) From part their design, batteries lithium possess a maximal life expectancy. This one can also vary in a important way according to conditions of use (temperature, pressure). To consult us, thank you.

ThermoPuce



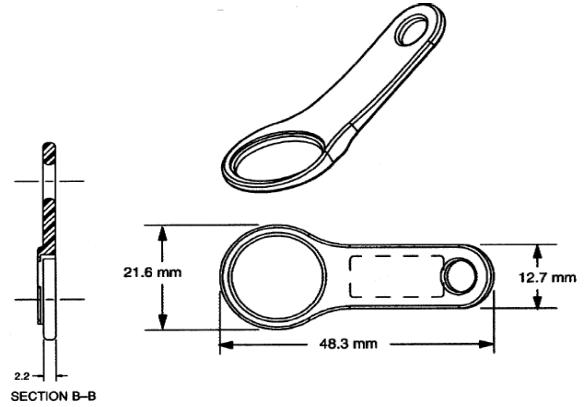
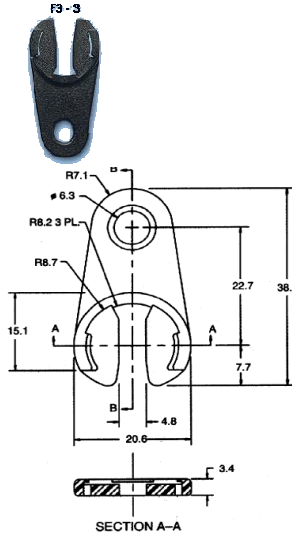
Key fobs Fixed ThermoPuce



Key fobs removable ThermoPuce



ThermoPuce adapter

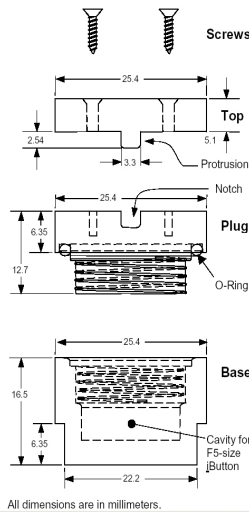


All dimensions are in millimeters.

Reader Multiple ThermoPuce



TECHNICAL DRAWING



All dimensions are in millimeters.

Filmed ThermoPuce



W-T (with optional display)



Waterproof protection box ThermoPuce



W-T (internal probe)



W-LT (external probe)



Special adaptation on request

External probe Warito



W-LT
L = 25 mm
Dia = 5 mm
Cable 1,5m
ou 3 m



W-LT et W-HT
L = 50 a 150 mm
Dia = 4 mm
Cable 0,5m a 3m



W-T8 et W-T16
L = 100 mm
Dia = 5 mm
Cable 1,5m
ou 3 m



All models
According to specifications

Software Warito II

